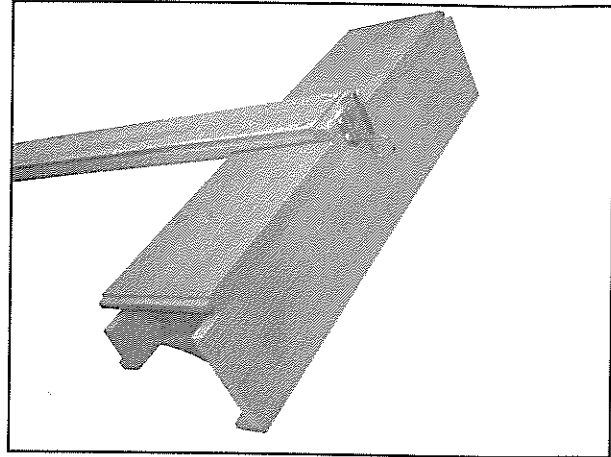
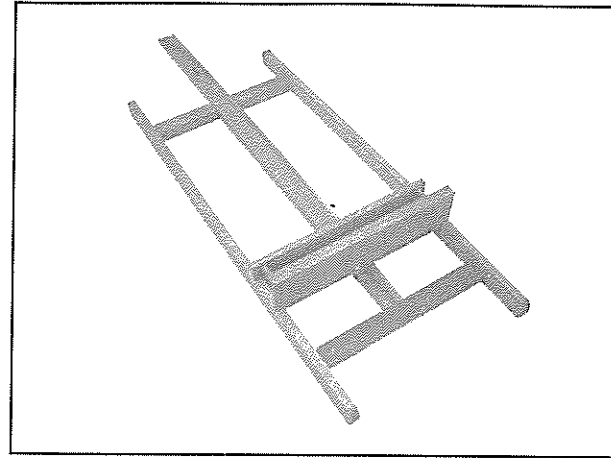


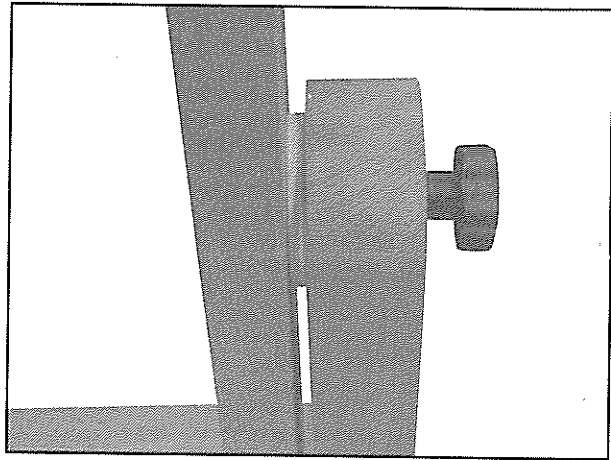
Mont Marte®



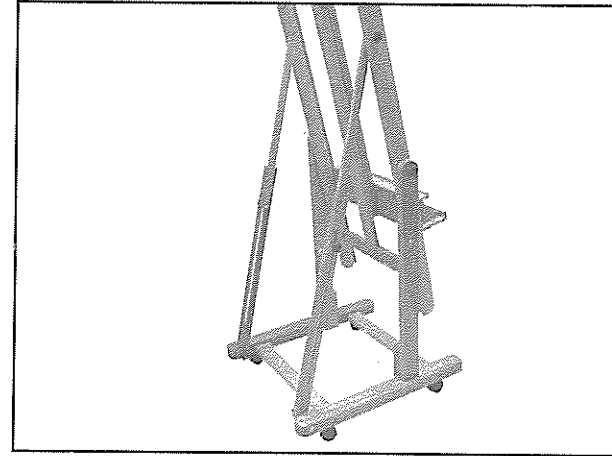
Step 8: Attach easel mast, part #10 to the easel tray, part #11 with screws from bag H. Fix trigger to base as shown with hardware from bag I.



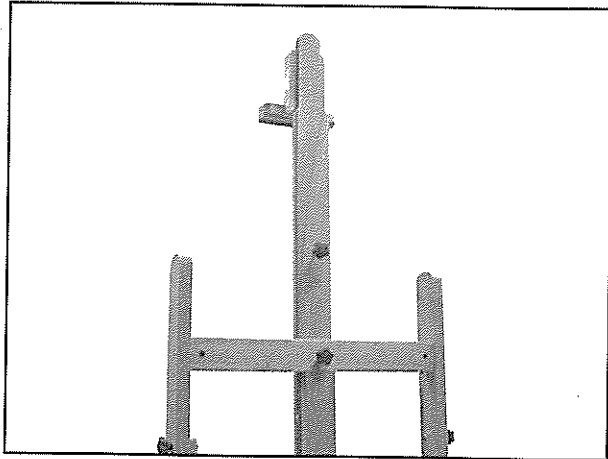
Step 9: Slide easel mast up from the bottom and into the mast guide in part # 6. Continue to slide the tray up making sure that it slots into the grooves in parts #9. Pull the trigger and continue to slide up so that it engages with the metal strip in part #7.



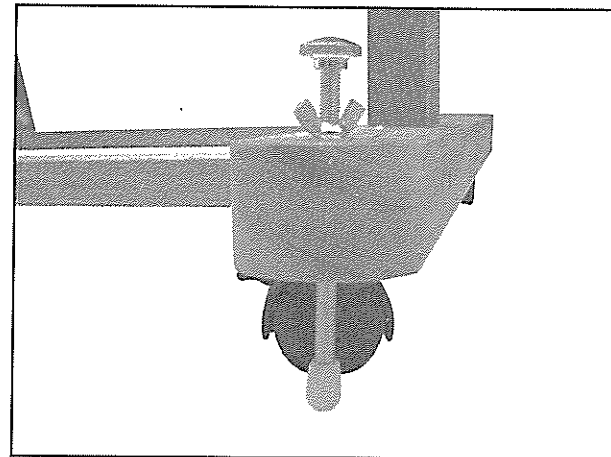
Step 10: Connect the easel frame to the easel base so that the front of the frame points towards the short end of the base. Ensure wooden disk is placed between the frame parts #3. Place the washer under the black plastic end. Use parts from bag K.



Step 11: Attach parts #5 to the easel frame with the remaining bolts from bag K. Make sure that the top of part #5 connects to the inside of the frame and the black plastic end is on the outside.



Step 12: Slide mast extension, part #13 into the mast, part #10. Slide on canvas holder, part #12 onto the mast extension. Secure with black plastic ended screws in bag J. Use the remaining 2 screws from bag J to secure the back of the easel as shown.



Step 13: Using hardware from bag L install the brakes as shown. This allows you to level and stabilize the easel. Your easel is now ready to paint your next masterpiece on!